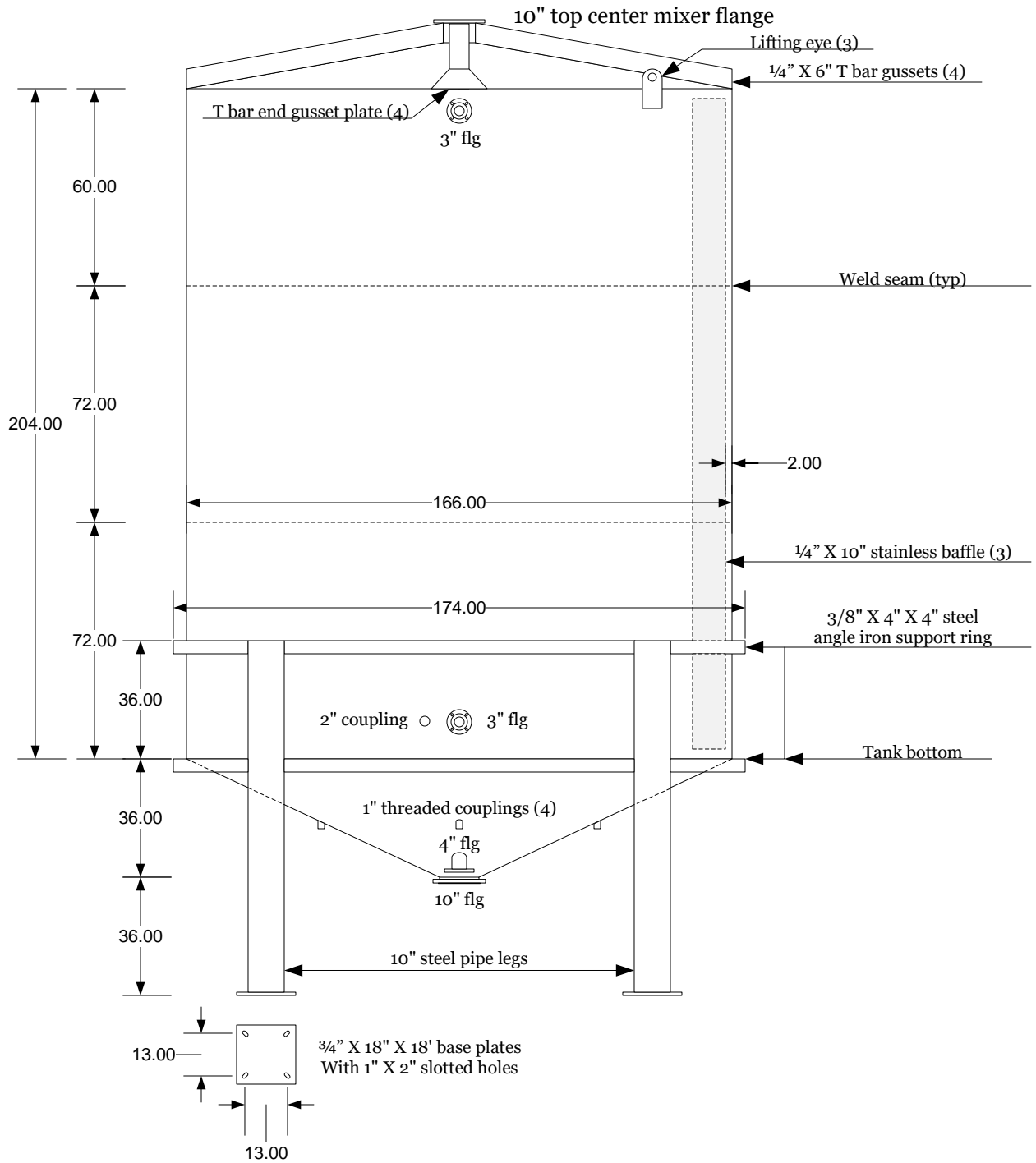


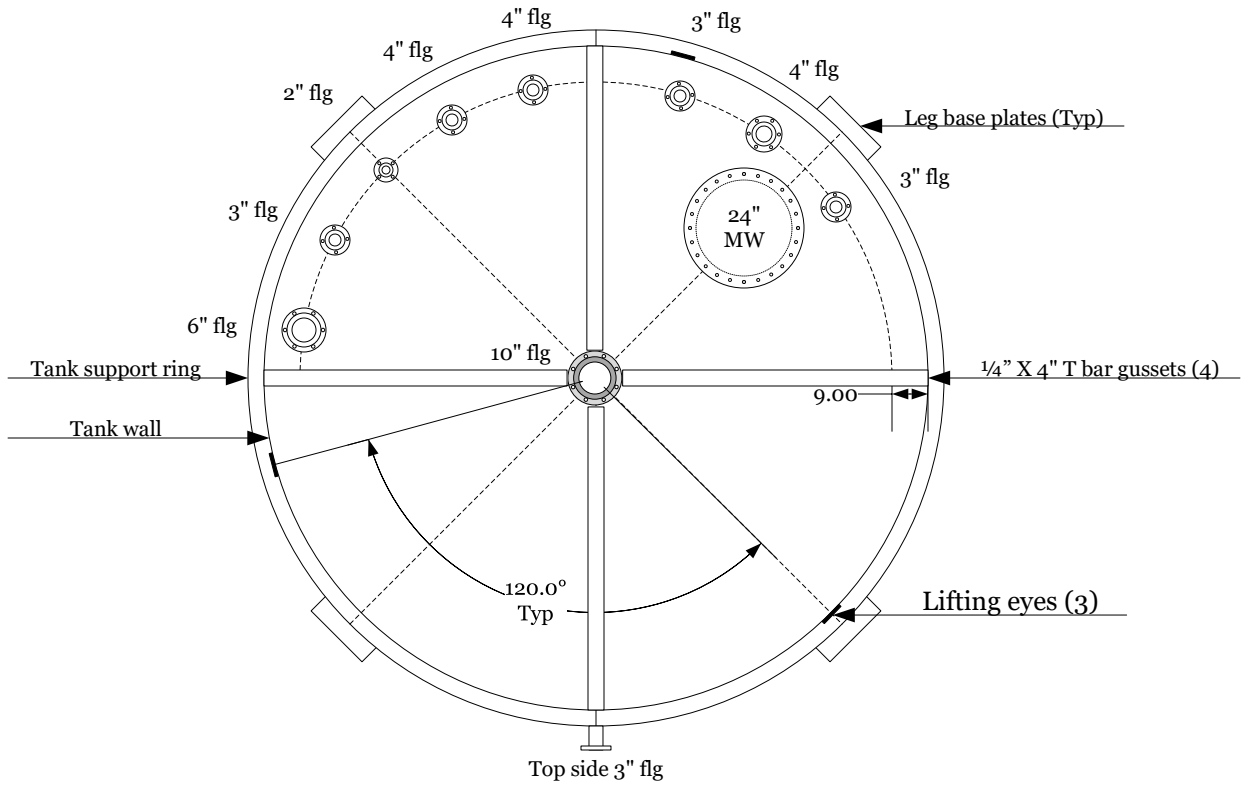
20,000 GALLON  
 STAINLESS STEEL CONE BOTTOM TANK



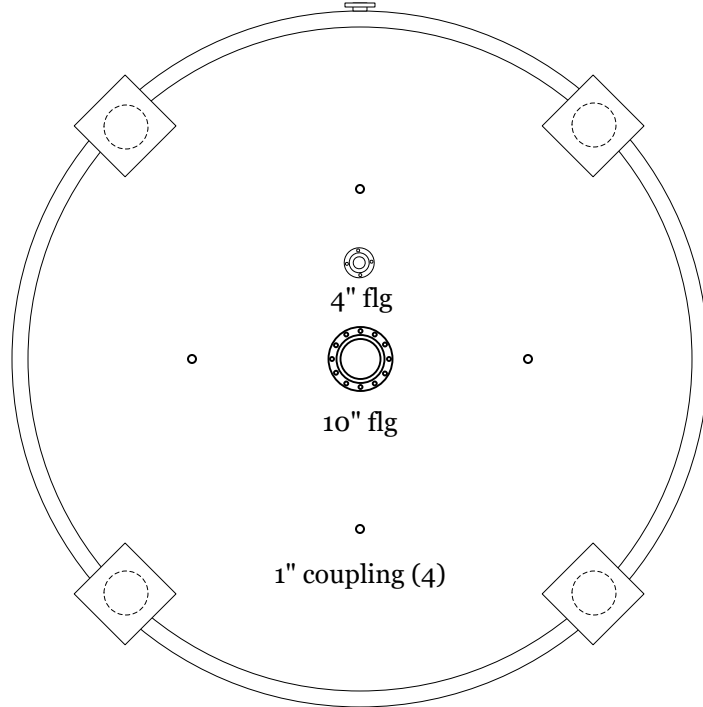
Ultra sonic thickness test results	
Tank top	0.263
Top shell ring	0.253
Middle shell ring	0.262
Bottom shell ring	0.256
Cone	0.273
10" pipe legs	0.360

**NOTE:**  
 \*Tank does not have a manufactures data plate.  
 \*All dimensions and thicknesses shown are approximate and are for reference only.  
 \* Type of stainless is not known.  
 \* Tank is located and ships from Los Angeles, CA

TOP VIEW



Bottom side 3" flg



BOTTOM VIEW